



## PRODUCT INTRODUCTION

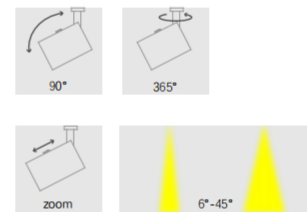
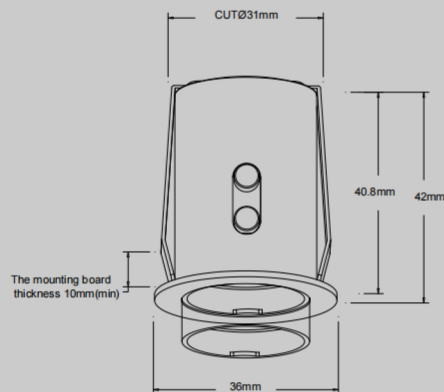
V28 Summit, it is the extension of Infinity range with the recessed mounting, is widely used in articles of luxury, museum, shopping areas, especially in showcase. Zoom beam angle with 3-8°, 6-45° is particularly flexible for the lighting design, and it is the best solution to highlight details in exhibition niches, to catch the viewer's attention.

## SPECIFICATION

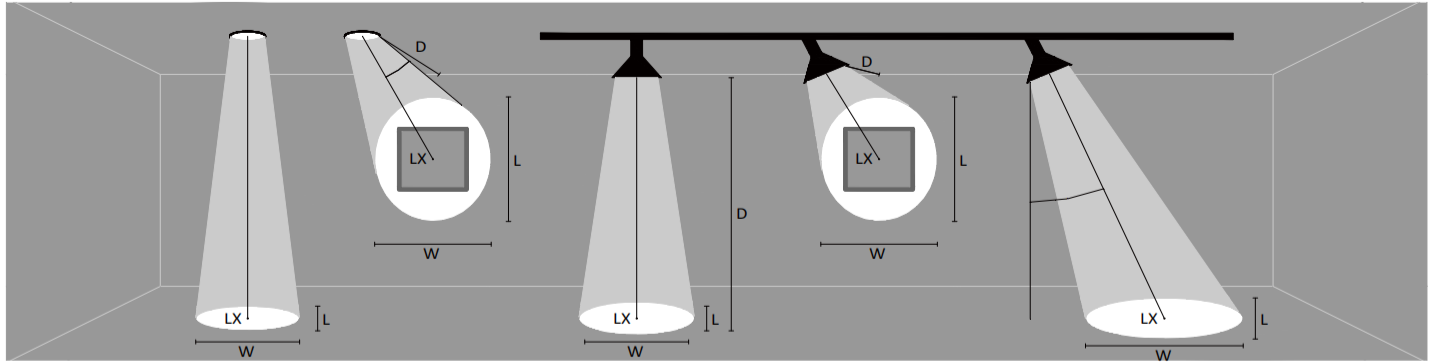
Wattage : 1W / 2W / 3W  
 Color temperature : 2700K / 3000K / 4000K  
 CRI : Ra95 (R9>90)  
 Beam angle : 6-45°  
 Adjusted by zoom lens control device  
 Driver : Input voltage DC3V 700mA(MAX)  
 Dimming : 0/1-10V , DALI , TRIAC , CASAMBI

## FEATURES

Product surface color : Silver, Black, Customized  
 Mounting: Embedded  
 Protection degree : IP20 (En60598)  
 Energy efficiency: EEIA



Radial distribution & Conical illuminance



D Distance To Fix From Wall or Floor

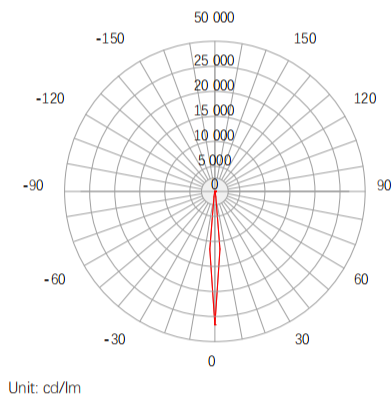
LX Initial illuminance Level At Center of Beam

L Beam Length (where candlepower drops to 50% of maximum)

W Beam Width (where candlepower drops to 50% of maximum)

Infinity V28 Apex 3W 3000K Ra97 6D  
0° Aiming Angle

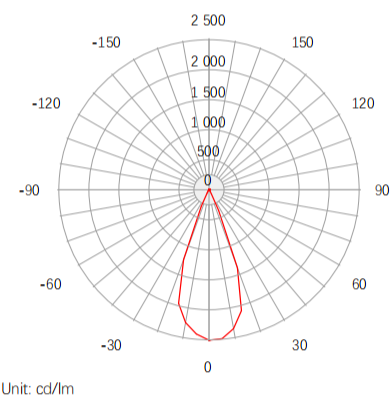
Height	AVRE	Center E	Diameter
1m	748lx	1104lx	Φ 16cm
2m	187lx	276lx	Φ 33cm
3m	83lx	123lx	Φ 49cm
4m	47lx	69lx	Φ 65cm
5m	30lx	44lx	Φ 81cm



Beam angle 6°

Infinity V28 Apex 3W 3000K Ra97 45D  
0° Aiming Angle

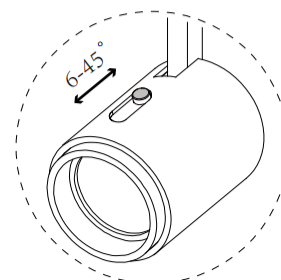
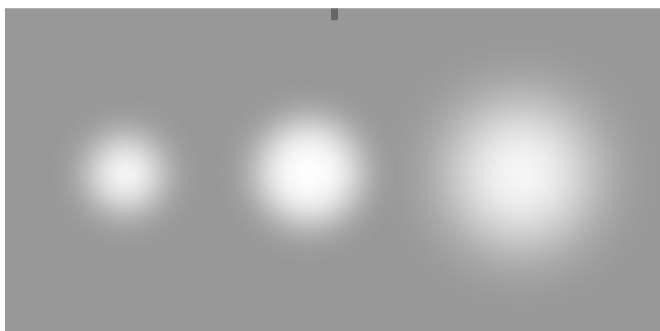
Height	AVRE	Center E	Diameter
1m	121lx	170lx	Φ 73cm
2m	30lx	42lx	Φ 147cm
3m	13lx	19lx	Φ 220cm
4m	8lx	11lx	Φ 293cm
5m	5lx	7lx	Φ 367cm



Beam angle 45°

Lighting distribution

Beam angle adjustable



## Specifications

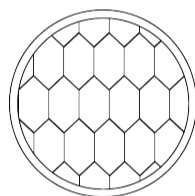
Model No.	Total Power (W)	LED Power (W)	Voltage	CRI (Ra)	Color Temp (K)	LED Flux (lm)	Beam Angle	IP Grade
Infinity V28 Apex	1	0.9	DC3V 700mA(MAX)	95	2700	100	6-45°	IP20
					3000	107		
					4000	114		
Infinity V28 Apex	2	1.8			2700	130		
					3000	142		
					4000	155		
Infinity V28 Apex	3	2.7			2700	200		
					3000	220		
					4000	230		

· Thermally stable typical lumens (±10%)

## Package information

Model No.	Packaging/Unit	Pieces/Unit	Dimensions (L x W x H)	Gross Weight	Volume
Infinity V28 Apex	Inner box	1	60x60x110mm	0.56kg	0.37dm <sup>3</sup>
	Outer box	50	330x330x250mm	29.5kg	27.23dm <sup>3</sup>

## Optional accessories



Honeycomb louver



Color coated lens